

THE NEW VAC.50^{s+} IT SUCKS!



INNOVATION IS HERE!



Free sample included

With the new Euroboor VAC.50^{s+} drilling machine the possibilities are endless. This revolutionary machine for annular cutting and drilling is especially made for horizontal application on non-magnetic surfaces. It actually sticks to almost all smooth surfaces (such as **aluminium, stainless steel, plastics, composites, brass, bronze, zinc, lead or even copper**) by using unique vacuum technology. Push your limits and see what the new VAC.50^{s+} can do for you.

The powerful motor with oil-lubricated gearbox ensures that you can drill energy-efficiently, more smoothly and faster with a **maximum drill diameter of 50 mm**. With our matching Cutting Paste IBP.70 the performance is even better, which saves you time and money.



**NEW VACUUM
TECHNOLOGY!**

www.euroboor.com

EUROBOOR
FOR PROFESSIONALS BY PROFESSIONALS

VAC.50s+

Vacuum drilling machine

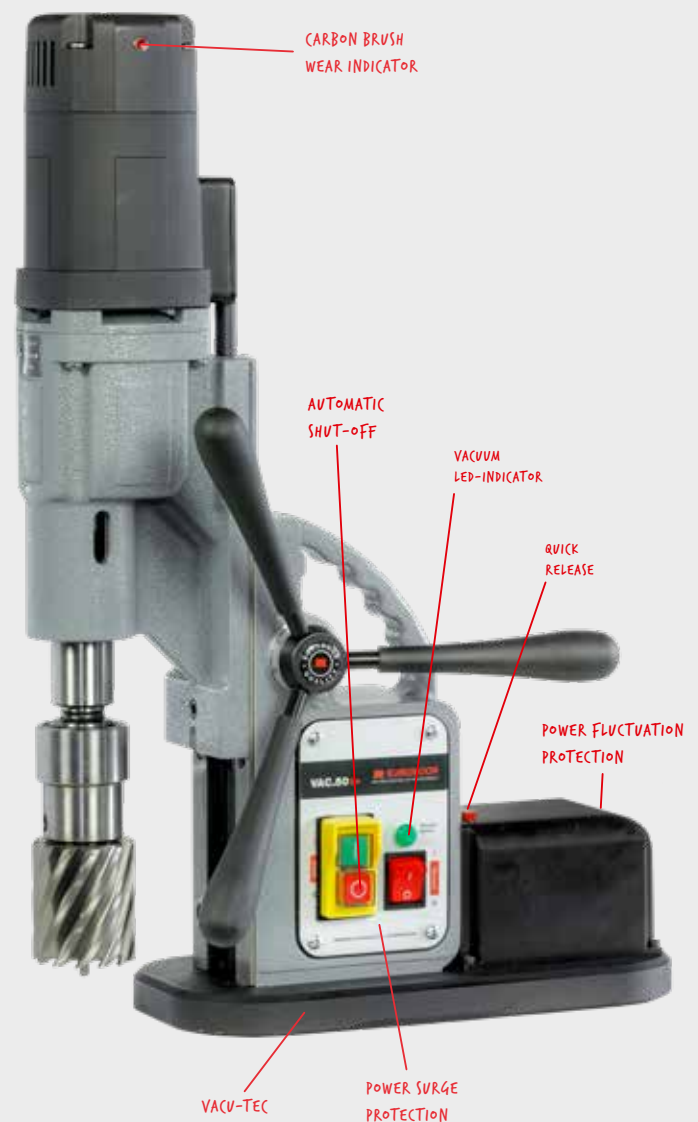
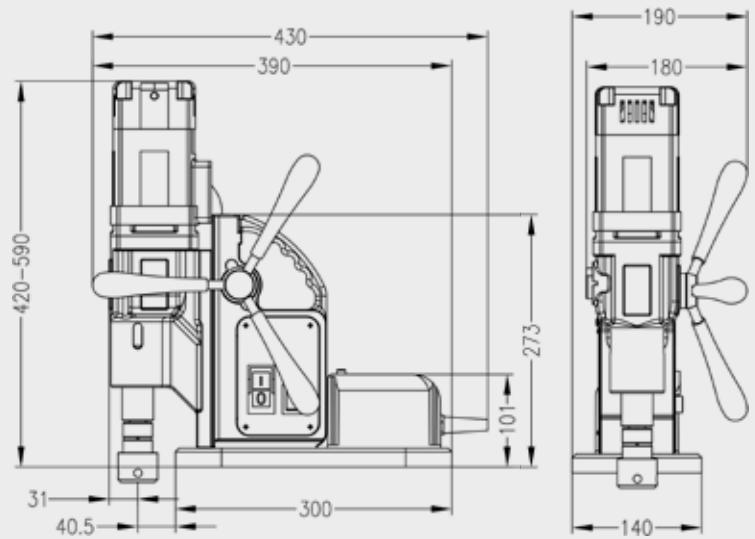
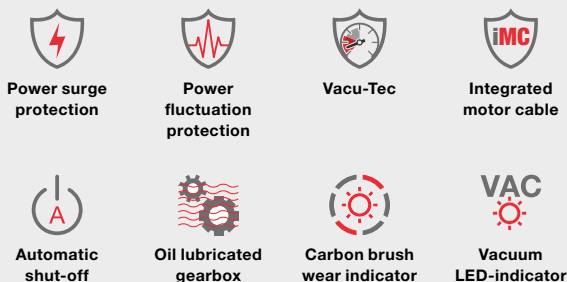
EUROBOOR
FOR PROFESSIONALS BY PROFESSIONALS

Technical data

	Metric	Imperial
Annular cutting:		
- steel and hard metals	Ø 12 - 30 mm	Ø 7/16" - 1 3/16"
- other metals and plastic	Ø 12 - 50 mm	Ø 7/16" - 2"
Twist drilling		
- steel and hard metals	Ø 1 - 13 mm	Ø 1/16" - 1/2"
- other metals and plastic	Ø 1 - 23 mm	Ø 1/16" - 15/16"
Countersinking	Ø 10 - 55 mm	Ø 3/8" - 2 3/16"
<hr/>		
Length	430 mm	16 15/16"
Width	190 mm	7 1/2"
Height	420 - 590 mm	16 17/32" - 23 7/32"
Stroke	170 mm	6 11/16"
Weight*	9.9 kg	21.8 lbs
Vac-base (l x w x h)	300 x 140 x 21 mm	11 13/16" x 5 1/2" x 13/16"
Adsorption force	300 kg	661 lbs
<hr/>		
Vacuum motor (integrated)		
- Air flow	15 L/min	0.53 cfm
- Gauge pressure	-80 kPa	-11.6 psi
- Power	12 W	1 A
- Voltage	12 V	12 V
Motor power	1,250 W	11.4 A
Total power	1,300 W	11.8 A
Speed		(I) 380 rpm
(no load)		(II) 690 rpm
Speed		(I) 235 rpm
(load 1,250 W, 11.4 A)		(II) 415 rpm
Spindle (Weldon)	MT3 19.05 mm	MT3 3/4"
Voltage	110-120 V / 60 Hz 220-240 V / 50-60 Hz	

* Without power cord and handles

Features



Euroboor makes every effort to meet quality and integrity requirements. That is why we as an organization are proud of the recognition of some leading organizations worldwide:



www.euroboor.com