

Spare parts - Version 1
Serial number: 1706xxx –

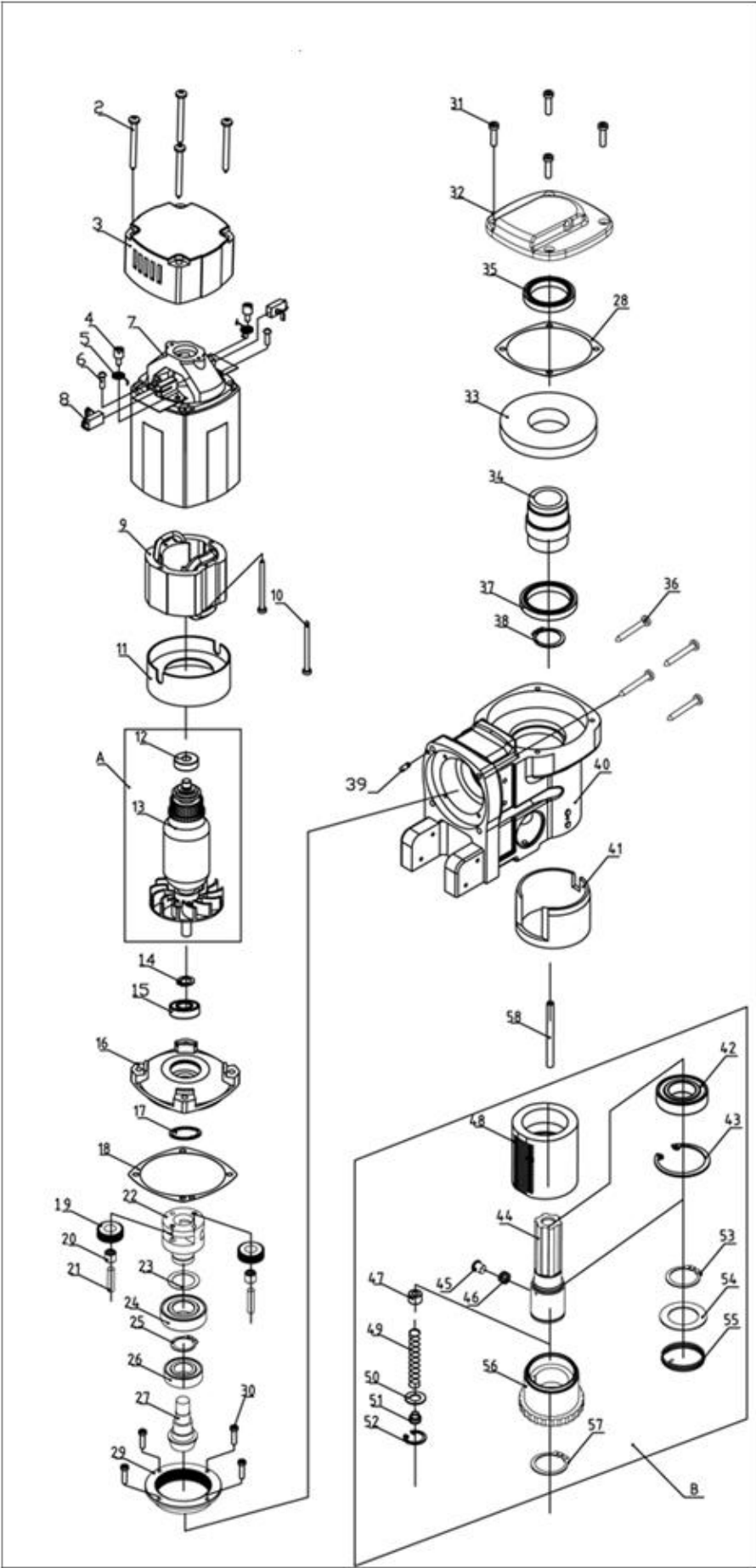
 **EUROBOOR**
FOR PROFESSIONALS BY PROFESSIONALS

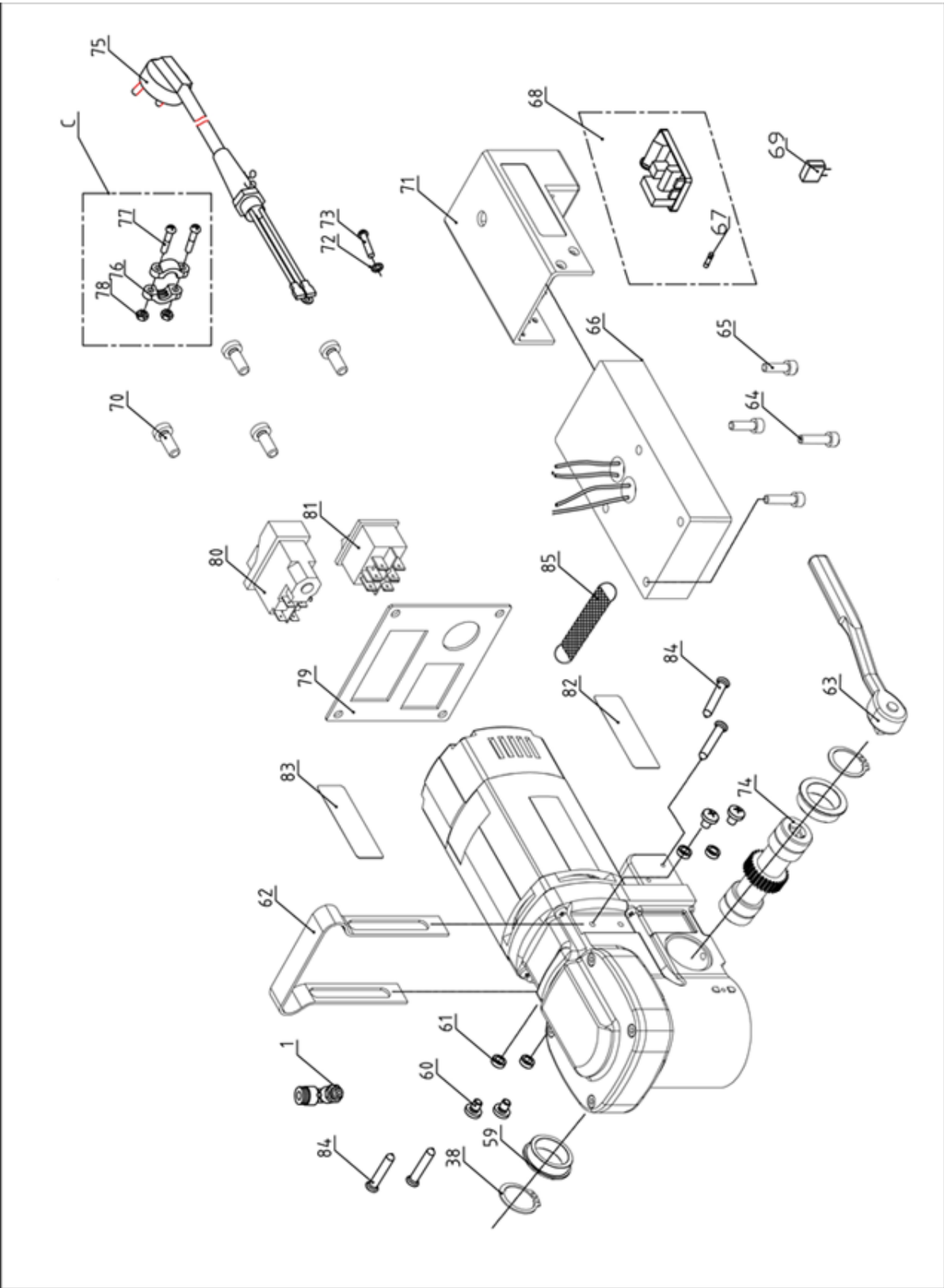
Magnetic drilling machine

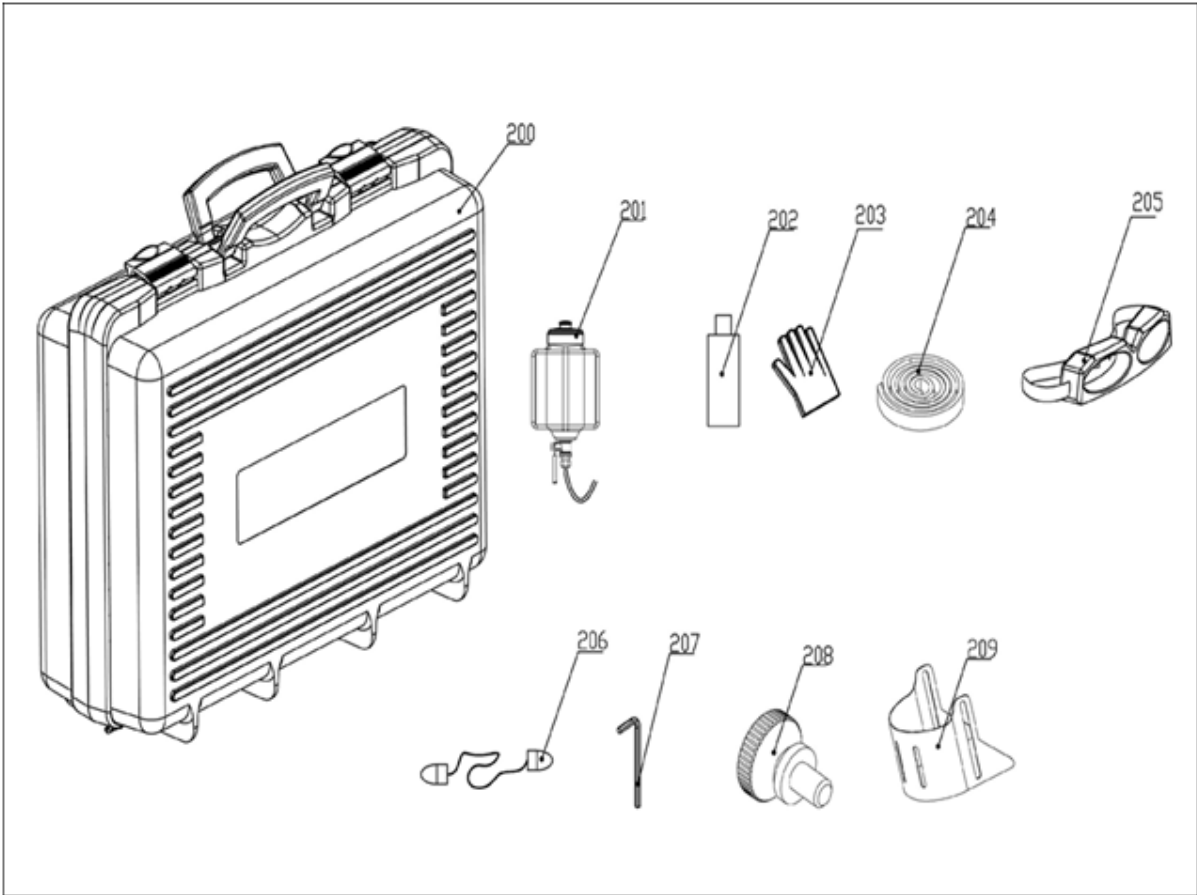
ECO.36 – V1

Is your serial number missing? Please contact Euroboor and ask them for more information.

Last update: August 25th, 2020







No.	Description	Article number
1	Connector	KSP.S
2	Torx Screw	036.0043
3	End cover	032.0111
4	Screw	032.0136
5	Carbon brush holder spring	032.0141
6	Screw	020.0181A
7	Housing	036.1012
8	Carbon brush set 220V	032.0146
	Carbon brush set 110V	032.0147
9	Field 220V	036.0047
	Field 110V	036.0049
10	Screw	032.0156
11	Baffle	032.0161
12-13	Armature incl. bearing 220V	036.1017
	Armature incl. bearing 110V	036.1018
14	Circlip	032.0166
15	Bearing	032.0171
16	Inner gear plate	036.0236
17	Circlip	032.0166
18	Gasket	032.0237
19-26	Gear assembly	036.1020
27	Gear	036.0025
28	Gasket	036.0138
29	Gear	036.0035
30	Screw	036.0007
31	Screw	036.0012
32	Gear plate	036.0002
33-34	Gear/shaft assembly	036.1021
35	Bearing	036.0022
36	Torx Screw	036.0044
37	Bearing	036.0023

38	Circlip	036.0018
39	Pin	050.0025
40-41	Gearbox incl. adaptor ring	036.1022
42-57	Spindle assembly complete	036.2002
58	Tube	036.0017
59	Adaptor ring	036.0064
60	Screw	036.0028
61	Screw	036.0029
62	Handle	036.0152
63	Spanner	036.0026
64	Screw	360.1024
65	Screw	020.0146
66	Magnet	036.1005
67	Fuse	020.0017
67-68	Control unit incl. fuse 220V	020.0001/3
	Control unit incl. fuse 110V	020.0001/31
69	Capacitor	020.0257
70	Screw	055.0022
71	Cable cover	036.0003
72	Washer	040.0286F
73	Screw	036.0007
74	Arm capstan	036.0065
75	Main cable 220V Europe	020.0036
	Main cable 220V Australia	020.0036/AUS
	Main cable 110V USA	020.0036/USA
	Main cable 220V UK	020.0036/UK
	Main cable 110V UK	020.0036/UK 110-16A
76-78	Cable clamp assembly	020.0037
79	Switch panel	036.0006
80	Motor switch 220V	030E.0091/Y
	Motor switch 110V	030E.0092/Y
81	Magnet switch	020.0011

82	Type plate 220V CE	036.0015
	Type plate 110V ETL	036.0015A
83	Instruction plate	036.0016
84	Screw	036.0036
85	D-belt	036.0040
200	Machine case	CAS.36
201	Coolant tank	036.2019
202	Coolant oil, 200ml bottle	IBO.10.200
203	Glove	SAF.300
204	Safety belt	036.0033
205	Glass	SAF.100
206	Ear Plug	SAF.200
207	Allen key	IMB.US3
208	Thumb screw	036.0027
209	Safety guard	036.0111