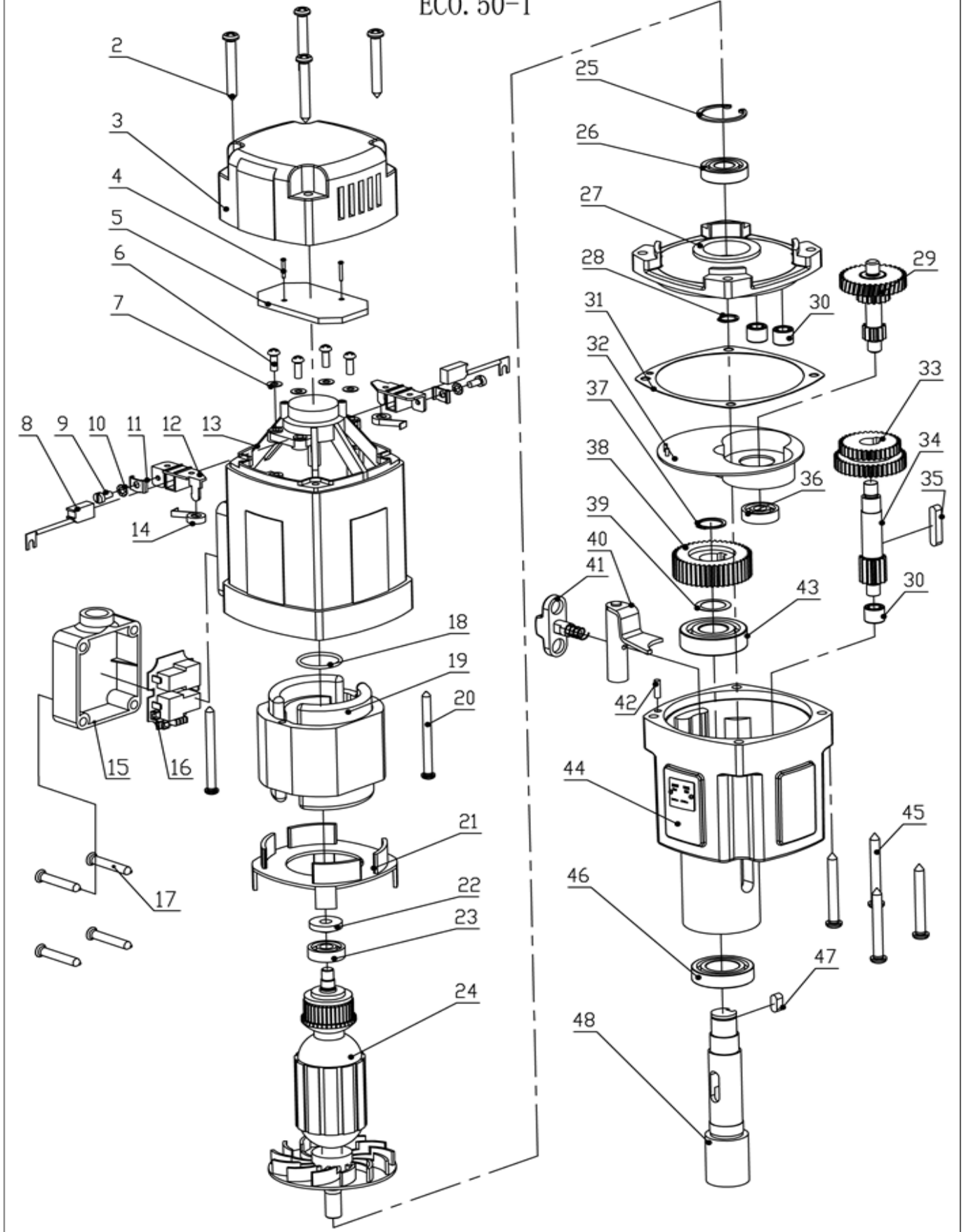


Spareparts ECO.50-T, framernr 50T1501xxx and up

No:	Article No:	Description:
2	050.0106	Screw 5x45
3	050.0111	End Cover
4	050T.0332	Screw for control unit 2
5	050T.0006	Control Unit 2 (110 & 220V)
6	100.0373	Screw M4x12
7	100.0374	Washer DIN137 M4
8	050.0147 (230V)	Carbon brush
	050.0148 (110V)	
9	050.0371	Carbon brush holder
10		
11		
12		
14		
13	050.1009	Housing
15	050.0586	Cable housing
16	050T.0002 (230V)	Control Unit 1 (2015)
	050T.0003 (110V)	
17	050.0587	Screw pkvz 4,8 x 35
18	050.0116	Adaptor Ring
19	050T.0276-1 (230V)	Field
	050T.0277-1 (110V)	
20	032.0156	Screw BK4x55
21	050.0261	Baffle
22	050T.0180	Armature speed disk
23	032.0126	Bearing 8x22x7 608
24	050T.0181 (230V)	Armature
	050T.0182 (110V)	
25	032.0166	Circlip 472/28/1.2
26	032.0171	Bearing 6001 12 x 28 x 8
27	050.0236	Inner gear plate
28	050.0176	Circlip 471/11
29	050.0252	Gear (=050.02461+050.0251)
30	040.0161	Needle bearing HK 0810
31	050.0207	Gasket middle
32	050.0211	Plate for gear casing
33	050.0171	Gear 34/40Z
34	050.0231	Gear shaft / Axle
35	100.4496	Key 5x5x28
36	032.0221	Bearing 608 (8x22x7)
37	050.0426	Circlip 471/15/1
38	050.0177	Spindle gear
39	050.0182	Adaptor ring
40	050.0291	Clutch shaft
41	040.0286	Gear Switch
42	032.0211	Casing pin 4 x 12

43	050.0221	Bearing 17/40/12
44	050.0208 (230V)	Gear box incl. plate
	050.0209 (110V)	
45	032.0106	Screw BK4,8 x 55
46	050.0466	Bearing 20x37x9
47	050.0431	Key for spindledrive
48	050.0191	Spindle drive shaft MT2

ECO. 50-T

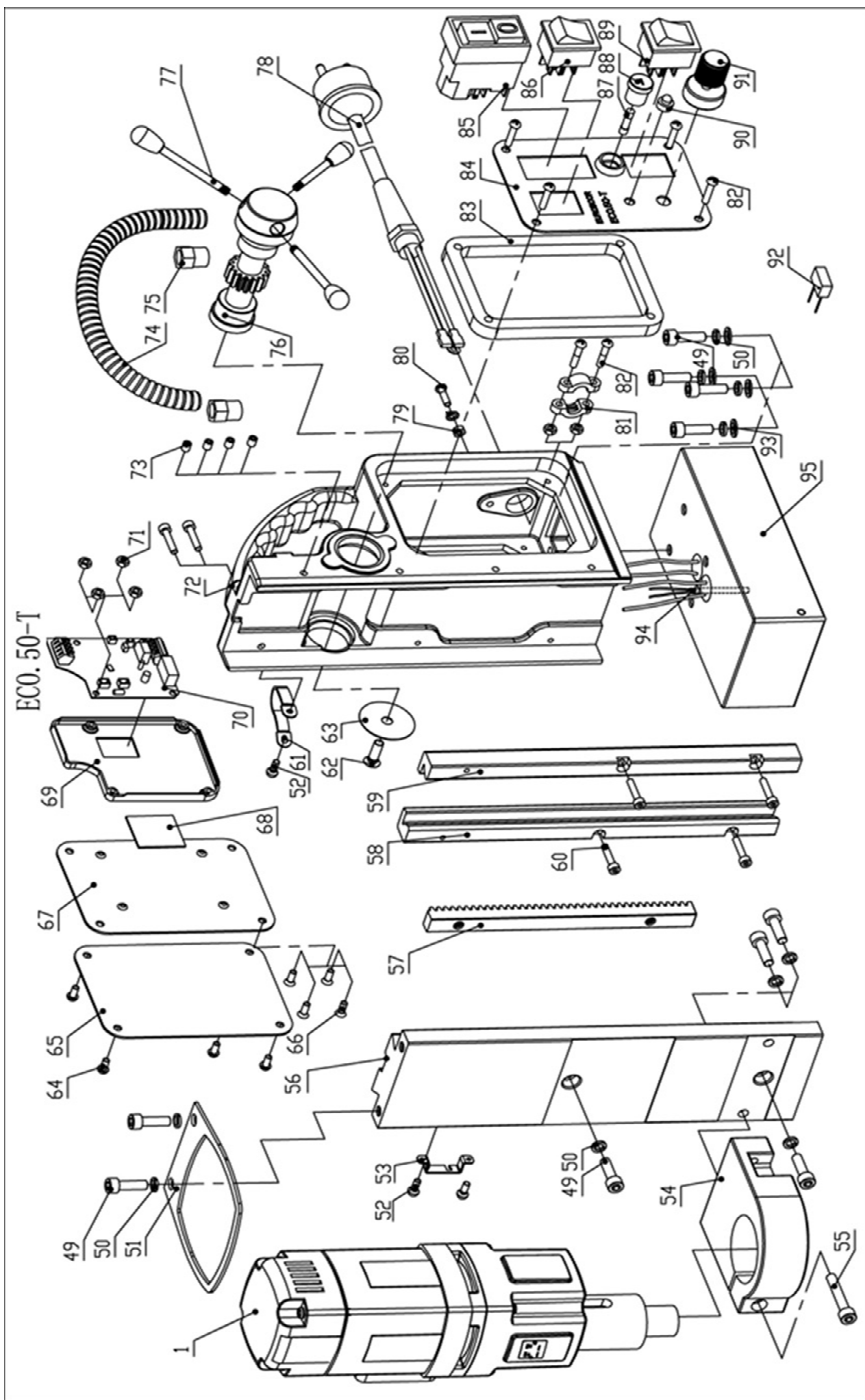


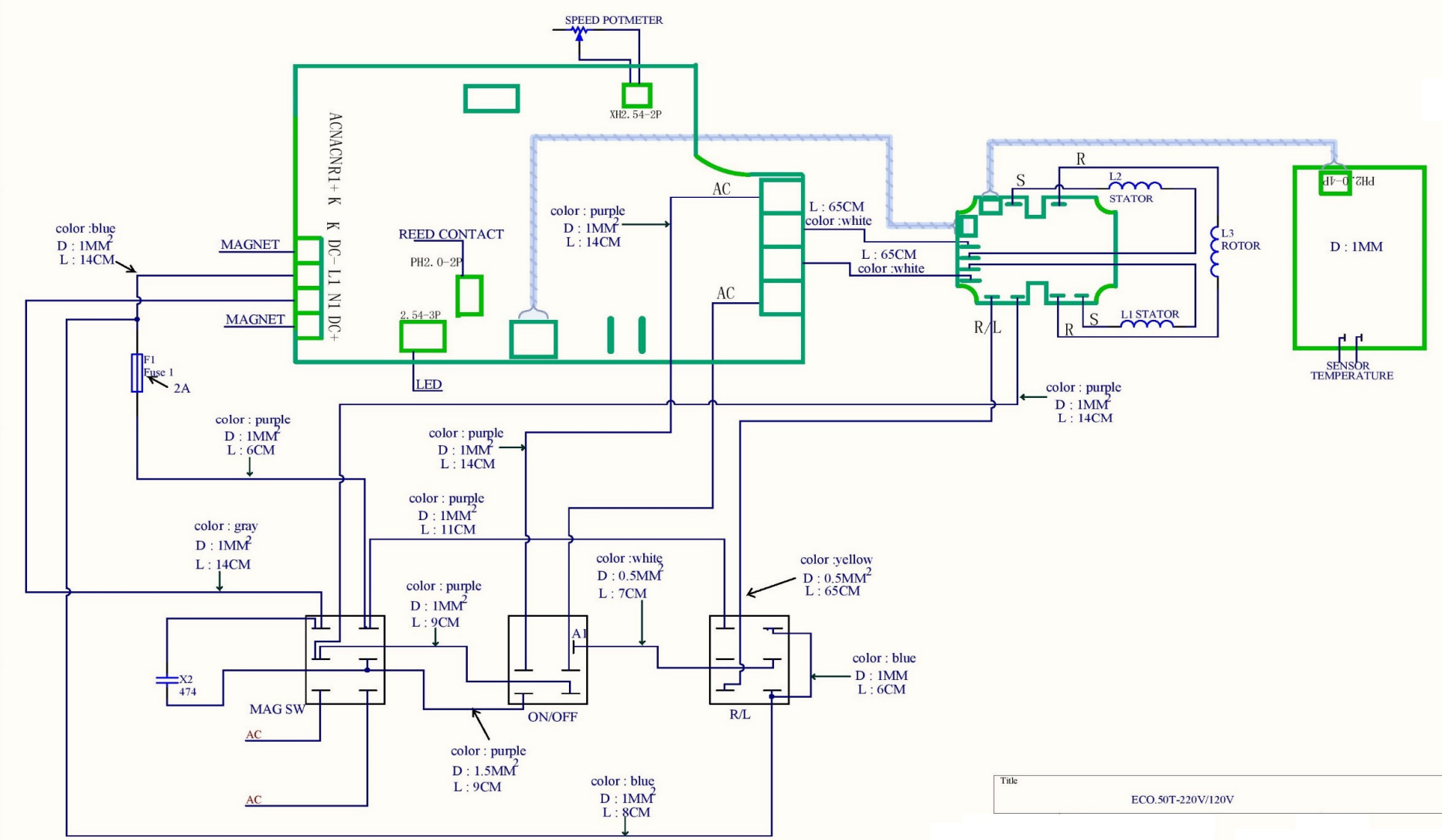
Spareparts ECO.50-T, framernr 50T1501xxx and up

No:	Article No:	Description:
1	050T.0101/2	Motor unit 230v
	050T.0102/2	Motor unit 110v
49	020.0156	Screw SSM6x20
50	020.0111	Washer M6 DIN7980
51	040.0041	Motor fixing plate 110mm
52	KSP.MS	Screw
53	KSP.M/3	Coolant hanger
54	050.0141	Motor holder
55	020.0146	Screw SSM6x25
56	050.0011/X	Slide
57	032.0016	Rack
58	020.0086/X	Aluminum rail(left) - set
59		Aluminum rail(right) - set
60	020.0086/S	Rail screw SSM4x20
61	020.0298	Motor cable clamp
62	020.0081	End Screw BKVZM6x20
63	020.0077	End plate
64	020.0101	Panel Screw BKVZM4x8
65	PP.RSEU-220	Rear Panel Plate 220v
	PP.RSEU-110	Rear Panel Plate 110v
66	050T.0335 (230v) 050T.0336 (110v)	Speed control unit
67		
68		
69		
70		
71		
72	020.0056/X	Frame
73	020.0516	screw
74	020.0046/2	Motorcable
75	020.0041	Coupling nut PG9
76	020.0061/X	Capstan hub assembly
77	020.0066	Arm for Capstan
78	020.0036	Main cable complete 220-240V
	020.0036/AU	Main cable Australia
	020.0036/UK	Main cable UK 220v
	020.0036/UK 110-16A	Main cable UK 110v 16A
	020.0036/USA	Main cable USA
79	020.0182	Grounding Screw/washer/Nut
80		
81	020.0037	Cable clamp

82	020.0037	Cable clamp
83	032T.0009	Spacer
84	PP.50TEU/4	Front Panel Plate
85	030E.0091/Y	Motorswitch 220v
	030E.0092/Y	Motorswitch 110v
86	100.0152	R/L Switch (push) 1800 W
87	020.0017	Fuse 5x20 F2A
88	020.0016	Fuse holder
89	020.0011	Magnet Switch
	020.0011/2	Magnet switch heavy duty
90	020.0206	LED indicator set
91	050T.1009	Potentiometer 100K (turn)
92	020.0257	Capacitance
93	020.0111	Washer M6 DIN7980
94	020.0201/2	Sensor
95	050.1003	Electro Magnet 50/50T

ECO.50-T





Spareparts ECO.50-T, framnr 50T1501xxx and up

No:	Article No:	Description:
200	CAS.50T	Black case - inlay ECO.50T
201	KSP.Q2	Coolant System
202	IBO.10.200	Universal Cutting Oil 200ml
203	SAF.300	Gloves
204	Saf.400	Safety Chain 1 meter
205	SAF.100	Safety goggles
206	KSP.P	Pin and knob for cooling tank
207	SAF.200	Earplugs with Bracket
209	IMB.US2.5	Allen key 2.5
210	IMB.US3	Allen key 3
211	IMB.US4	Allen key 4
212	IMB.US5	Allen key 5
214	SAF.MDMB	Safety Guard for ECO.50T
216	IMC.20	MC2 - 19 mm Weldon

