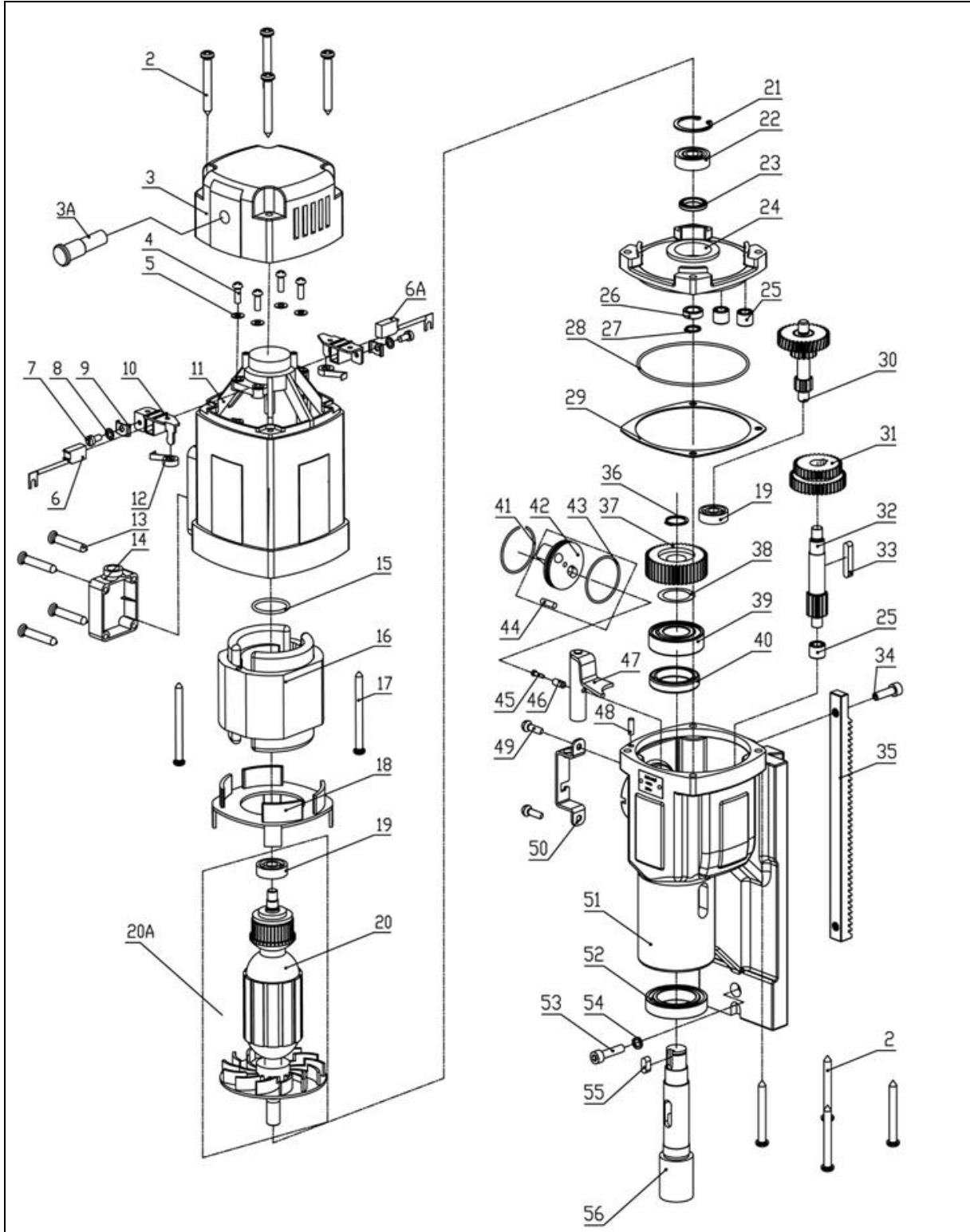
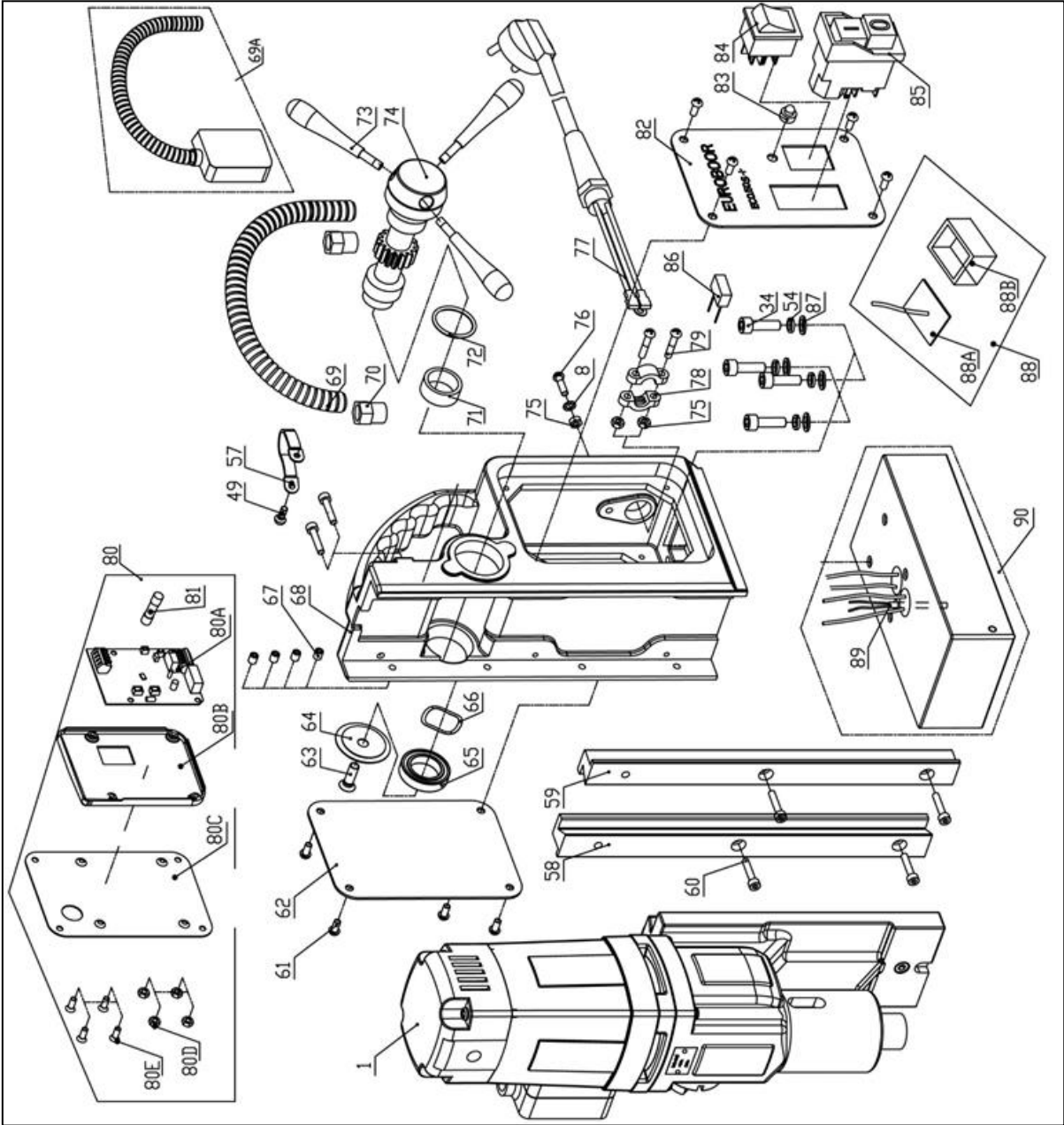
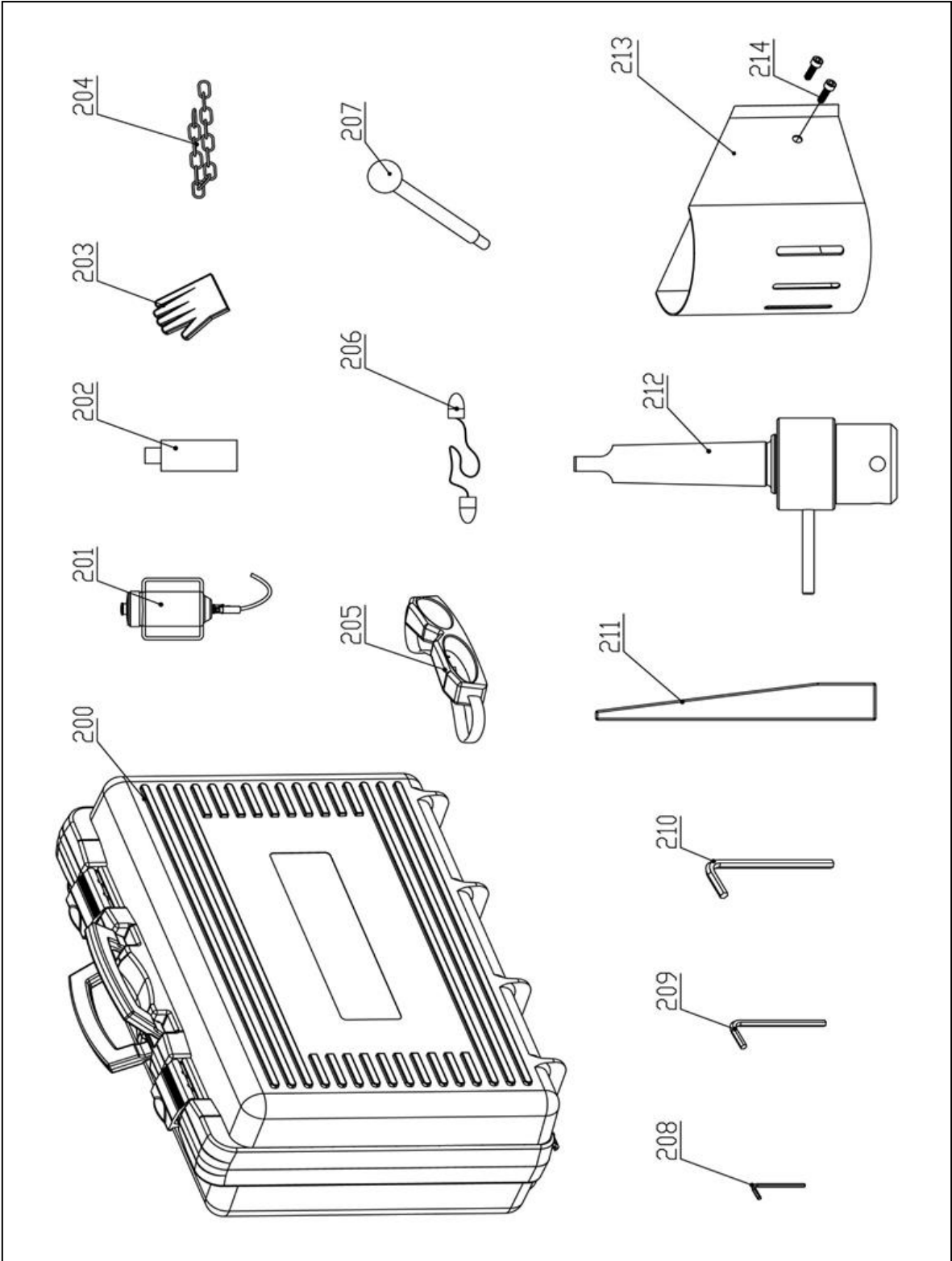


Exploded views & spare parts list

Exploded views







Spare parts list

No.	Part no.	Description	Qty
1	045.1001Z	ECO.50S+ motor unit 220V ext. cable	1
	045.1001ZA	ECO.50S+ motor unit 110V ext. cable	
2	050.0106	Screw 4.8 x 45	8
3	050.0111Z	End cover 110 - 220 Volt	1
3A	020.0278	Led indicator red alarm 110 - 220 Volt	1
4-5 7- 10 12	050.0371	Carbon brush holder	1
6			
6	050.0147	Carbon brush set 220V	1
	050.0148	Carbon brush set 110V	
6A	050.0147AUTO	Carbon brush 110 - 220 Volt	1
11	050.0142	Housing	1
13	050.0587	Screw 5 x 30	4
14	050.0586	Cable housing	1
15	050.0116	Adapter ring $\varnothing 27 \times 2.45$	1
16	050.0276	Field 220V	1
	050.0277	Field 110V	
17	200024	Screw M4 x 60	2
18	050.0261	Baffle	1
19	032.0126	Bearing 608ZZ 8 x 22 x 7	2
20A	050.0181	Armature 220V	1
	050.0186	Armature 110V	
21	032.0166	Circlip 472/28/1.2	1
22	050.9070	Bearing 6001V V	1
23	050.0064	Oil bearing 15 x 21 x 3	1
24	050.0236/Y	Inner gear plate	1
25	040.0161	Needle bearing HK0810	3
26	050.0065	Metal ring $\varnothing 40$	1
27	100.0571	Circlip 471 11 x 1	1
28	050.0071	O-ring 82 x 1.8	1
29	050.0207	Gasket middle	1
30	050.0252	Gear assembly	1
31	050.0171	Gear 34/40Z	1
32	050.0231	Axle 13T	1
33	040.0301	Key	1
34	020.0156	Bolt M6 x 20	5
35	050.0074	Rack - 1.5X39T	1
36	050.0076	Circlip $\varnothing 20$	1
37	050.0463	Gear 1 x 45T	1

No.	Part no.	Description	Qty
38	050.0462	Washer 20.5 x 28 x 0.2	1
39	030E.5034	Bearing nsk 6004 ddu	1
40	050.0066	Oil bearing 28 x 38 x 7	1
41	050.0078	Ring 41.5 x 36.5 x 1.5	1
42	050.1014	Gear switch	1
43	050.0081	O-ring	1
44	050.0025	Pin 4 x 10	1
45	020.0329	Screw M4 x 16	1
46	050.0082	Screw holder	1
47	050.1005A	Clutch shaft	1
48	032.0211	Casing pin 4 x 12	1
49	020.0063	Screw M5 x 20	3
50	020.0289	Tank holder	1
51	040.1008	Gear casing ECO.50S	1
52	050.0068	Bearing 61906 DDU	1
53	020.0146	Screw M6 x 25	1
54	020.0111	Washer M6 DIN7980	5
55	050.0077	Key 6 x 6 x 12	1
56	050.0461	Spindle drive shaft 34 x 146 #3	1
57	020.0298	Motor cable clamp	1
58	020.0086/Z	Rail set Aluminium (L/R) Z-profile	1
59			
60	100.0022	Bolt M5 x 20	6
61	020.0101	Panel screw BKVZ M4 x 8	8
62	PP.RSEU-220	Rear Panel EB 220V	1
	PP.RSEU-110	Rear Panel EB 110V	
63	020.0081	End screw BKVZ M6 x 16	1
64	050.0030	Ender cover $\varnothing 36 \times 3$	1
65	050.0063	Bearing 6804 ZZ	1
66	040.0023	Washer	1
67	020.0056/S	Screw SS M5 x 6	4
68	020.0056/Z	Frame aluminium rail (Z)	1
69	360.1040	Motor cable cover	1
69A	050S.B085	Motor cable complete	1
70	020.0041/H	Coupling nut PG9 (motor cable)	2
71	032.0127A	Bearing 110 - 220 Volt	1
72	030.0027	Washer	1
73	020.0315	Arm for capstan	3
74	020.0061/Z	Capstan hub assembly	1
8	020.0182	Grounding screw/washer/nut	1
75			
76			

No.	Part no.	Description	Qty
77	020.0036	Main cable 220V EU	1
	020.0036/AU	Main cable Australia	
	020.0036/UK	Main cable UK 220v	
	020.0036/UK 110-16A	Main cable UK 110v 16A	
	020.0036/USA	Main cable USA	
		020.0031	Coupling nut PG11 (main cable)
75	020.0037	Cable clamp complete	1
78			
79			
80	032.1008ZQ	Control unit 110 - 220 Volt	1
81	020.0017	Fuse 5 x 20 F2A	1
82	040.0002S	Front panel ECO.50S+	1
83	020.0206	LED indicator set	1
84	020.0011-1	Magnet switch	1
85	030E.0091/Y	Motor switch 220V (5- pin) YELLOW	1
	030E.0092/Y	Motor switch 110V (5- pin) YELLOW	
86	020.0257	Capacitance	1
87	020.0112	Washer M6	4

No.	Part no.	Description	Qty
88	055.1041	Gyroscope PCB set	1
89	100.1008	Sensor	1
90	050S.1022	Magnet 220 Volt	1
	050S.1022A	Magnet 110 Volt	
200	050S+.2010	Case 50S+ with sticker	1
201	KSP.Q2	Coolant tank Quick Connect 2015	1
202	IBO.0.2L	Bottle 0.2LTR	1
203	SAF.300	Protective gloves	1
204	SAF.400	Safety chain (1 mtr) with lock	1
205	SAF.100	Safety goggles	1
206	SAF.200	Ear plugs	1
207	KSP.P	Pin and knob for cooling tank	1
208	IMB.US2.5	Allen key 2.5 mm	1
209	IMB.US4	Allen key 4.0 mm	1
210	IMB.US5	Allen key 5.0 mm	1
211	DRIFT3	Drift MT3	1
212	IMC.30/19-N	Arbor MT3 - 19.05 (3/4") Weldon	1
213	SAF.MDMB	Safety guard for ECO.50	1
214	020.0223	Screw M5 x 10	2
	IBO.G101	Gearbox oil	1