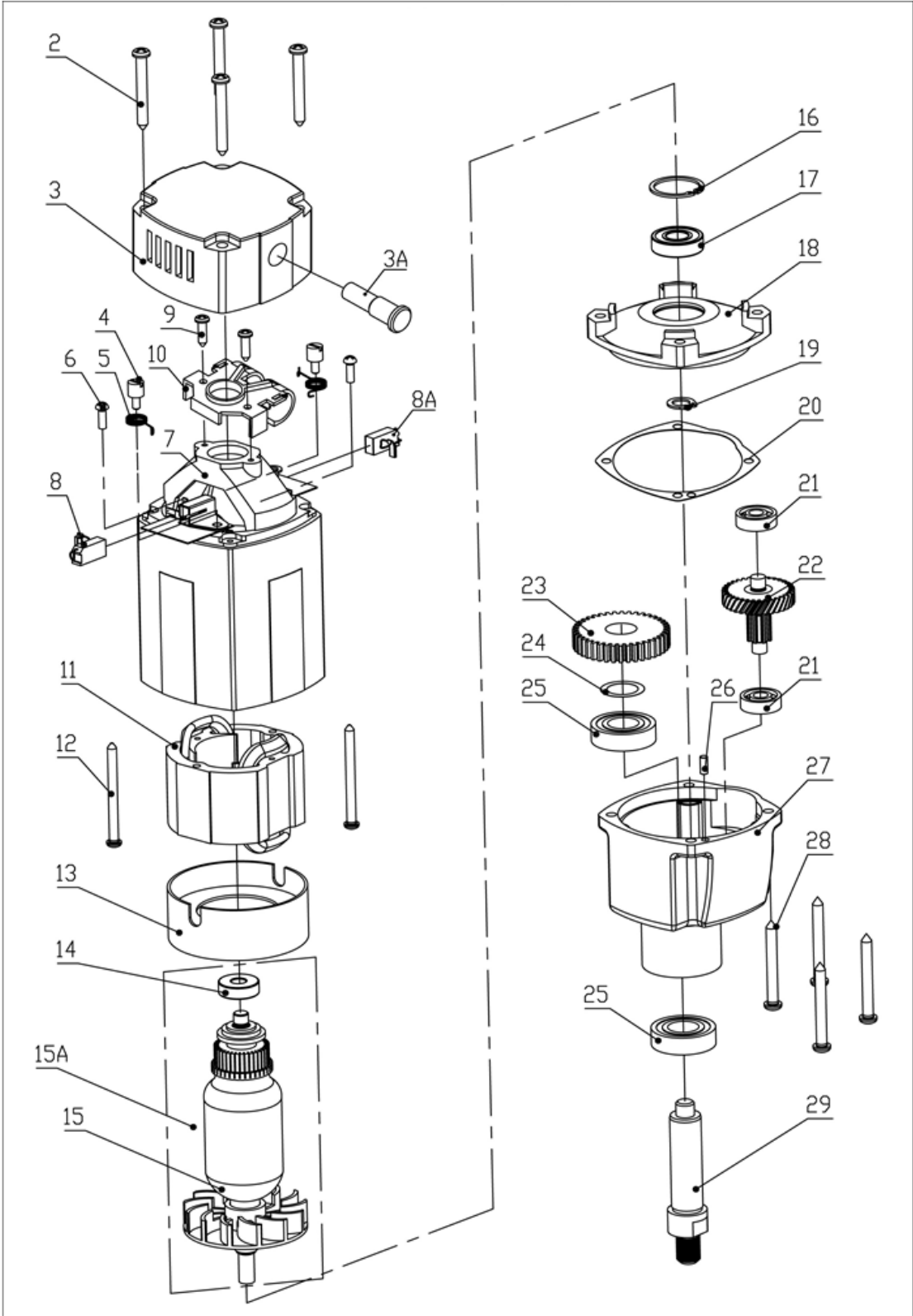
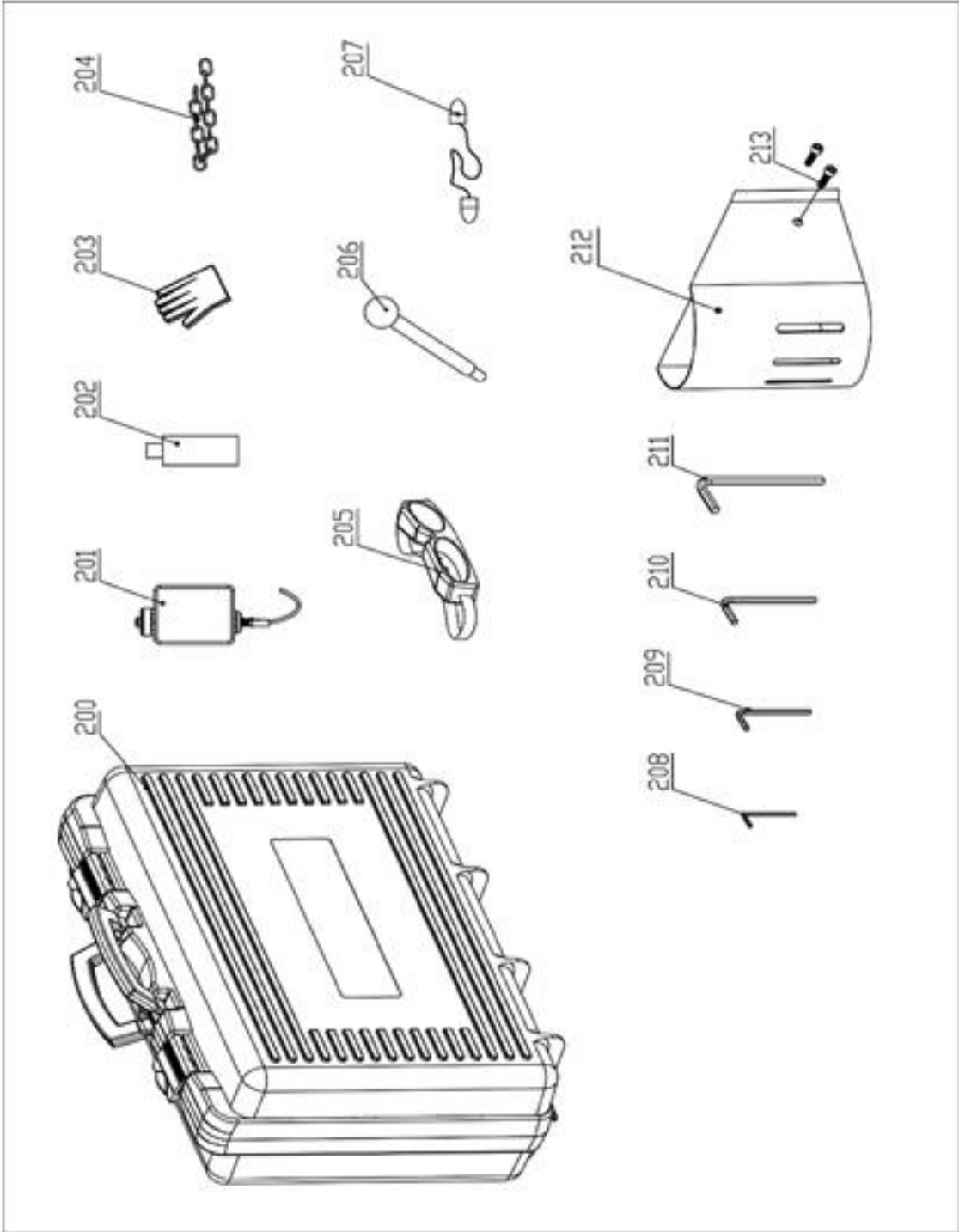


# Exploded views & spare parts list

## Exploded views







## Spare parts list

No.	Code no.	Description	Qty
1	032.1001Z	ECO.32+ motor unit 220V ext. cable	1
	032.1001ZA	ECO.32+ motor unit 110V ext. cable	
2	036.0043	Torx screw M4.8 x 55	4
3	032.0111Z	End cover 110 - 220 Volt	1
3A	020.0278	Led indicator red alarm 110 - 220 Volt	1
4	032.0136	Screw for spring	2
5	032.0141-1	Spring	2
6	020.0101	Panel screw BKVZ M4 x 8	2
7	032.0241	Housing incl. carbon brush holder	1
8	032.0146	Carbon brush set 220V	1
	032.0147	Carbon brush set 110V	
8A	032.0146AUTO	Carbon brush 110 - 220 Volt	1
9	032.0166	Screw M4 x 16	2
10	032.0131-1	Adapter ring cap	1
11	032.0151	Field 220V	1
	032.0152	Field 110V	
12	032.0156	Screw BK 4 x 55	2
13	032.0161	Baffle	1
14	032.0126	Bearing 608ZZ 8 x 22 x 7	1
15A	032.0181	Armature 220V	1
	032.0182	Armature 110V	
16	032.0166	Circlip 472/28/1.2	1
17	032.0171	Bearing 6001ZZ 12 x 28 x 8	1
18	032.0236	Inner gear plate	1
19	100.0571	Circlip 471 11 x 1	1
20	032.0237	Gasket small	1
21	032.0221	Bearing 608 8 x 22 x 7	2
22	032.0226	First gear 34 T	1
23	032.0231	Axle 8T	1
24	032.0191	Adapter ring 17 x 24 x 0.2	1

No.	Code no.	Description	Qty
25	032.0196	Bearing 6003 17 x 35 x 10	2
26	050.0025	Pin 4 x 10	1
27	032.0206	Gear casing	1
28	032.0216	Screw BK 5 x 40	4
29	032.0201	Spindle drive shaft	1
30	020.0156	Bolt M6 x 20	10
31	020.0111	Washer M6 DIN7980	10
32	032.0041	Top fixing plate 120 mm	1
33	032.0011/X	Slide	1
34	020.0289	Tank holder	1
35	020.0063	Screw M5 x 20	3
36	032.0026	Motor holder HD 66 mm	1
37	020.0146B	Screw M6 x 35	1
38	020.0145/2	Coolant ring quick steel, for 020.0142/2	1
39	020.0142/2	Steady auto coolant, for 020.0145/2	1
40A	020.0116	Spindle complete 112 mm	1
41	020.0136	Grub screw M8 x 8	2
42	020.0121	Spindle spring set	1
43			
44			
45			
46			
47	020.0146	Screw M6 x 25	4
48	032.0016	Rack	1
49	020.0086/X	Rail set alu (L/R)	1
50			
51	020.0086/S	Rail screw for Mark II frame SS M4 x 20	6
53	PP.RSEU-220	Rear Panel EB 220V	1
	PP.RSEU-110	Rear Panel EB 110V	
53A	020.0101	Panel screw BKVZ M4 x 8	8
54	020.0081	End screw BKVZ M6 x 16	1
54A	020.0063	Screw M5 x 20	1
54B	020.0298	Motor cable clamp	1
55	020.0077	End plate	1

No.	Code no.	Description	Qty
56	020.0056/X	Frame aluminium rail (L)	1
57	020.0056/S	Screw SS M5 x 6	4
58	360.1040	Motor cable cover	1
59	020.0041/H	Coupling nut PG9 (motor cable)	2
60	020.0061/XB	Capstan hub assembly black	1
61	020.0315	Arm for capstan	3
62	020.0036	Main cable 220V EU	1
	020.0036/AU	Main cable Australia	
	020.0036/UK	Main cable UK 220v	
	020.0036/UK 110-16A	Main cable UK 110v 16A	
	020.0036/USA	Main cable USA	
		020.0031	Coupling nut PG11 (main cable)
52	020.0182	Grounding screw/washer/nut	1
63			
64			
63	020.0037	Cable clamp complete	1
65			
66			
67	032.1008Z	Control unit 110-220V (3 pins)	1
68	020.0017	Fuse 5 x 20 F2A	1
69	032+.0003X	Front panel ECO.32+	1
70	020.0206	LED indicator set	1
71	020.0011-1	Magnet Switch	1

No.	Code no.	Description	Qty
72	030E.0091/Y	Motor switch 220V (5-pin) YELLOW	1
	030E.0092/Y	Motor switch 110V (5-pin) YELLOW	
73	020.0257	Capacitance	1
74	020.0112	Washer M6	4
75	055.1041	Gyroscope PCB set	1
76	100.1008	Sensor	1
77	032.1022	Magnet 220 Volt	1
	032.1022A	Magnet 110 Volt	
200	032+.2010	Case ECO 32+ with sticker	1
201	KSP.Q2	Coolant tank Quick Connect 2015	1
202	IBO.0.2L	Bottle 0.2LTR	1
203	SAF.300	Protective gloves	1
204	SAF.400	Safety chain (1 mtr) with lock	1
205	SAF.100	Safety goggles	1
206	020.0066	Arm for capstan	1
207	SAF.200	Ear plugs	1
208	IMB.US2.5	Allen key 2.5 mm	1
209	IMB.US3	Allen key 3.0 mm	1
210	IMB.US4	Allen key 4.0 mm	1
211	IMB.US5	Allen key 5.0 mm	1
212	SAF.MDMS	Safety guard small	1
213	020.0511	Bolt M5 x 10	2