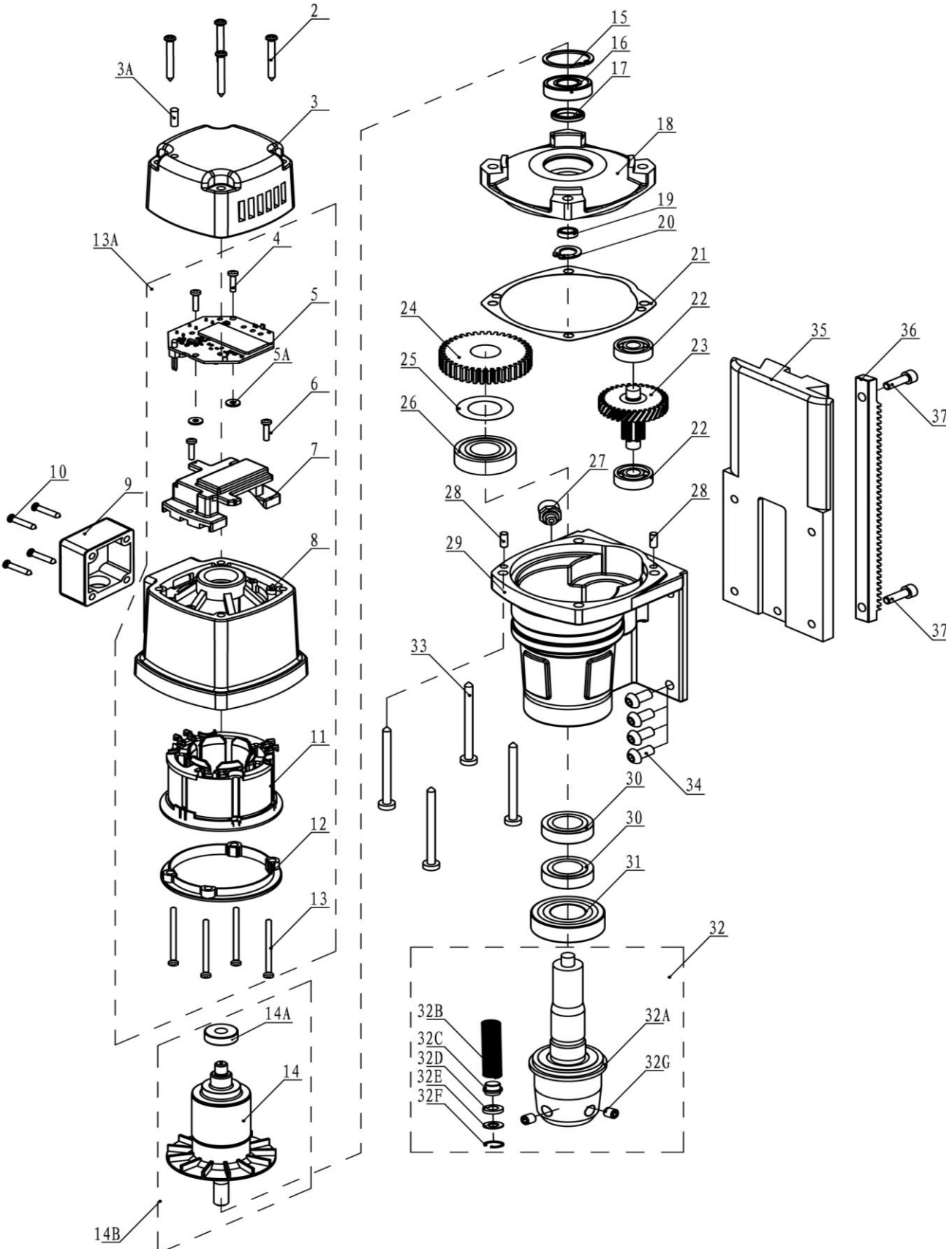


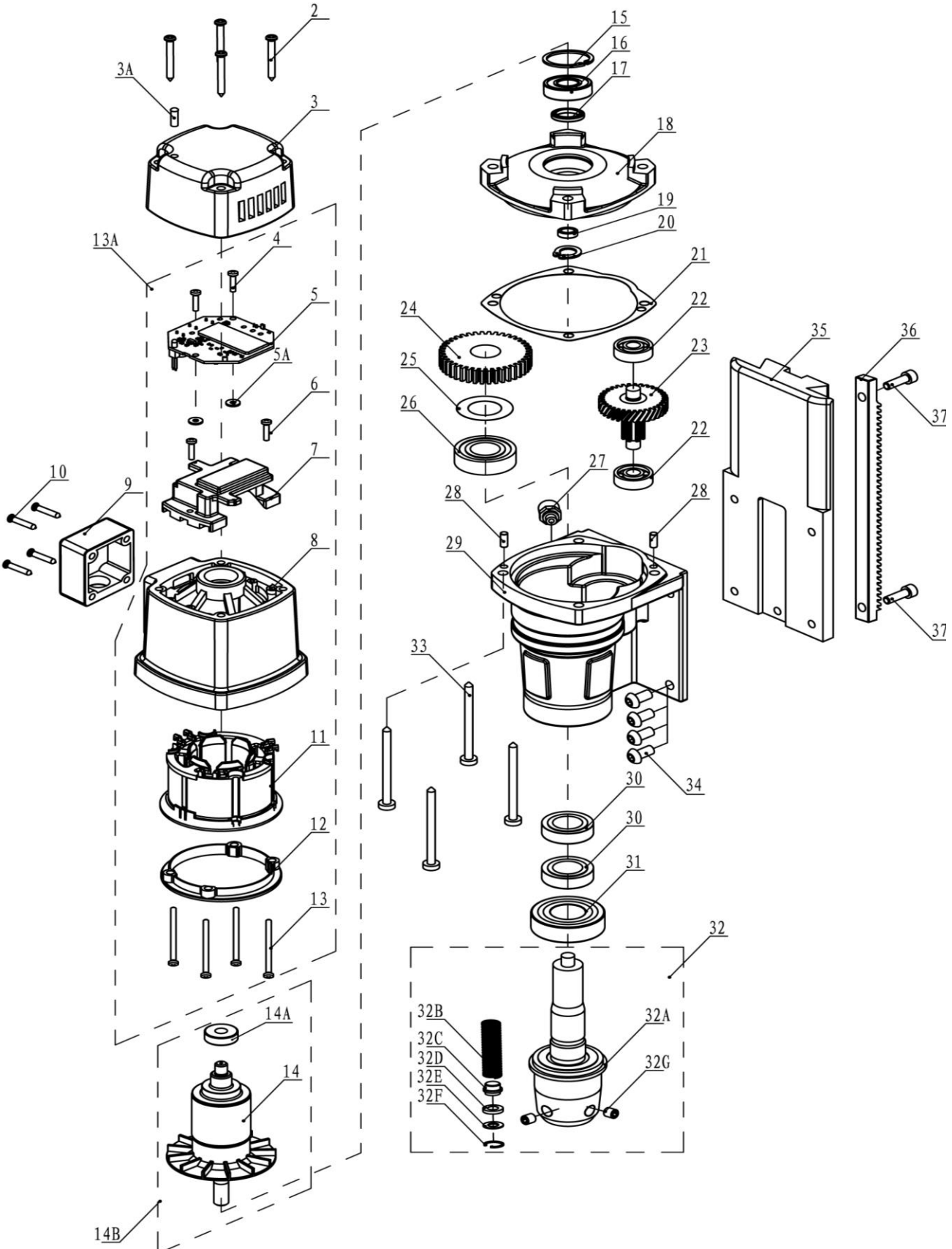
9. Exploded views & spare parts list

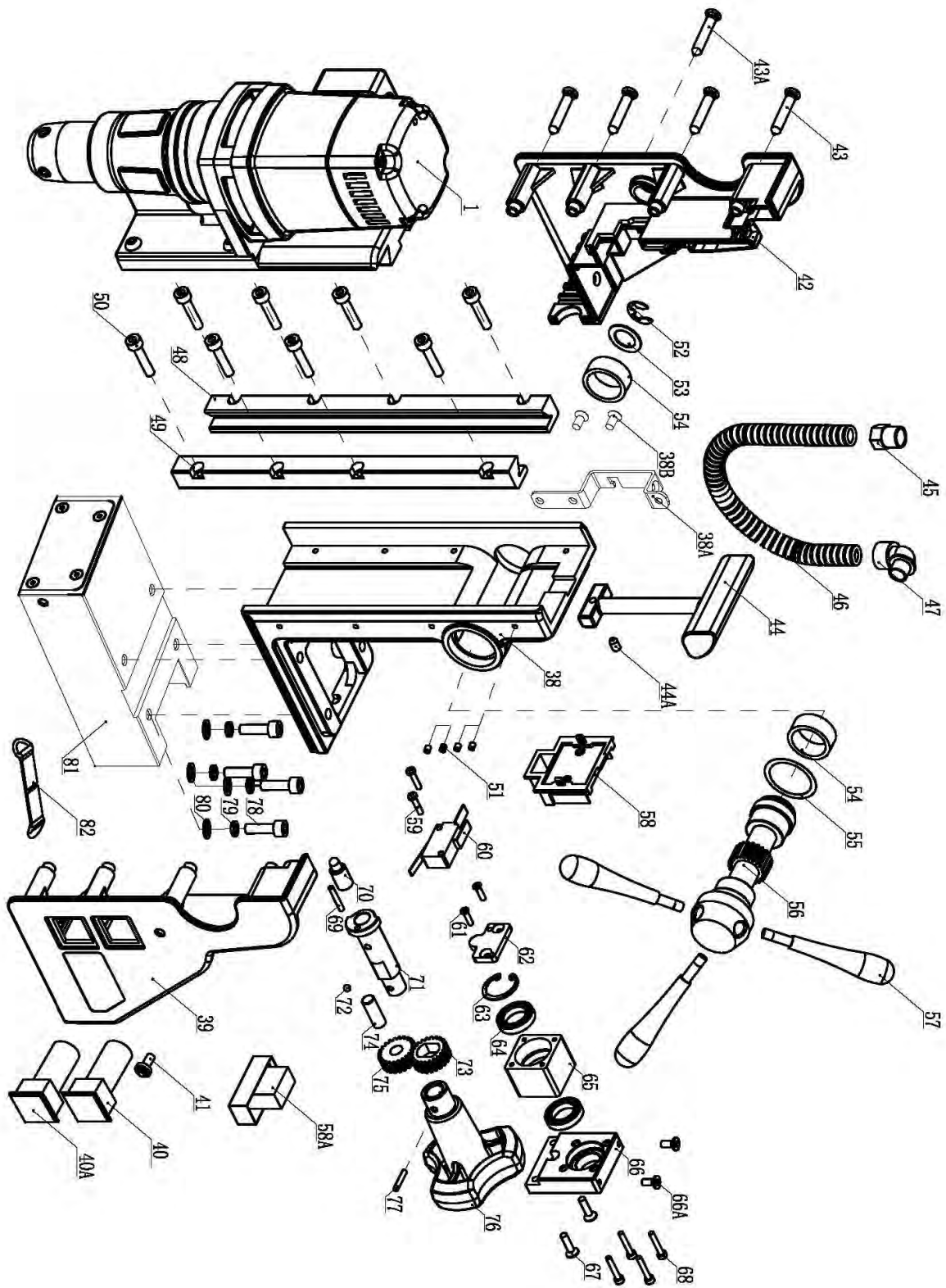
9.1 Exploded views

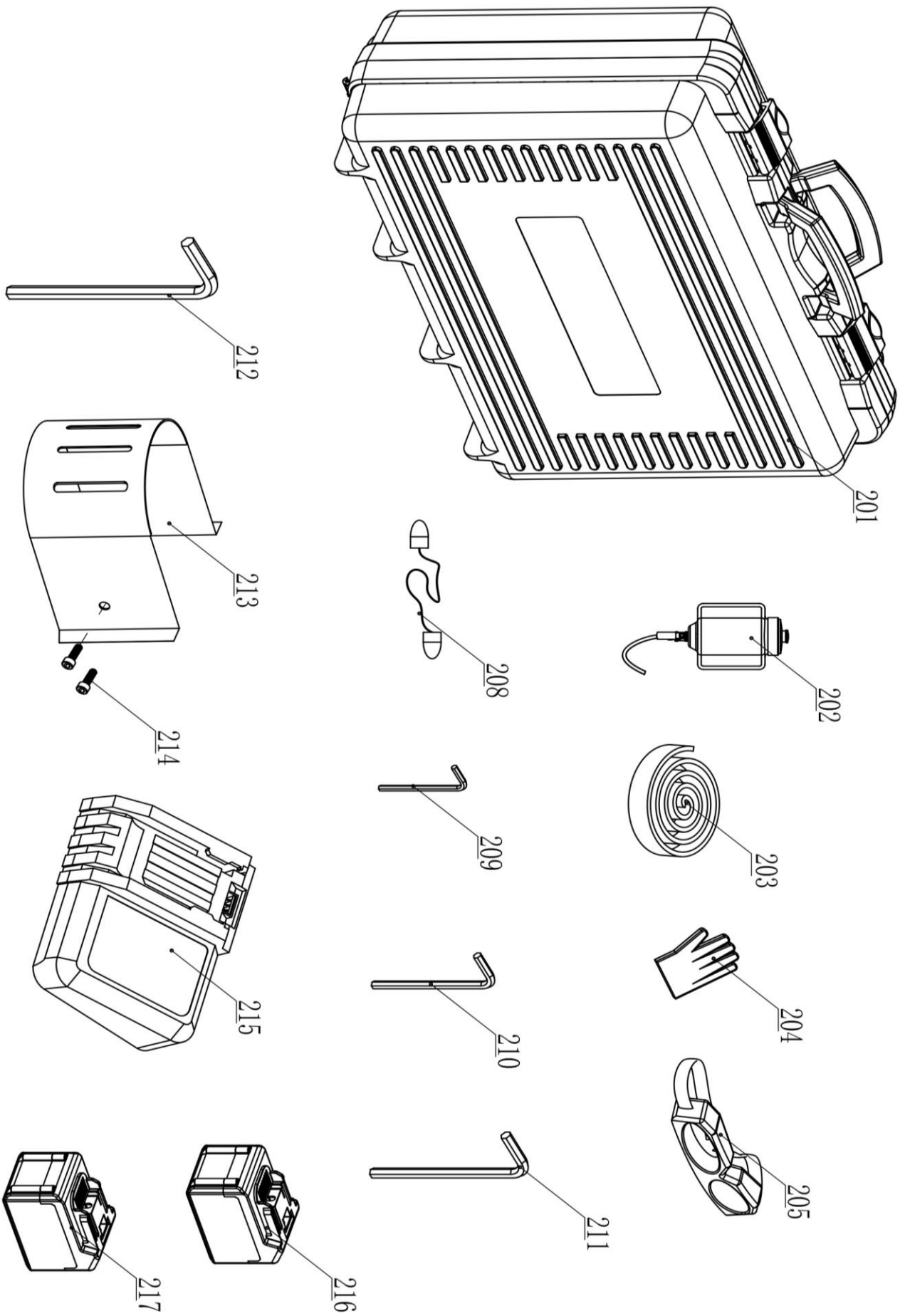


9. Exploded views & spare parts list

9.1 Exploded views







9.2 Sparepart lists

No.	Part no.	Description	Qty
2	018.0065	Screw ST4.2*45	4
3	018.0025	Top cover	1
3A	200.0091	LED indicator red alarm 18V	1
4	018.0014	Screw M3*10	2
5	018.0015	Drive board	1
5A	020.0150	Washer	2
6	018.0066	Screw ST3.5*16	2
7	018.0026	Heat dissipation plate	1
8	018.0024	Housing	1
9	018.0027	Side cover	1
10	018.0060	Screw M4*30	4
11	018.0018	Field 18V	1
12	018.0032	Cushion ring	1
13	018.0017	Screw ST4.2*50	4
13A	018.1002	Housing assembly	1
14	018.0019	Armature 18V	1
14A	018.0071	Bearing	1
14B	018.1003	Armature assembly	1
15	032.0166	Circlip	1
16	050.0070	Bearing	1
17	050.0064	Oil bearing	1
18	040S.0236X	Inner gear plate	1
19	040S.0065	Rotor iron seal	1
20	020.0308	Circlip	1
21	040S.0128	Gasket	1
22	032.0126	Bearing	2
23	032.1014	helical gear	1
24	032.0186	Spindle gear	1
25	032.0191	Adapter ring	1
26	032.0196	Bearing	1
27	020.0300J	Pipe joint	1
28	0025	Alignment pin	2
29	018.0020	Gear box	1
30	030.0010	Oil seal	2
31	030.0009	Bearing	1
32	030.1006	Spindle assembly	1
33	018.0067	Screw	4
34	020.0471	Screw	4
35	018.0037	Sliding plate	1
36	018.0038	Rack	1
37	020.0106	Screw	2
38	018.0021	Frame	1
38A	030.0013	Tank holder	1
38B	020.0063	Screw	2
39	018.1006	Frame shell assembly	1
40	032C.0050	Motor On-switch(green)	1
40A	032C.0051	Motor Off-switch(red)	1
41	018.1004	Magnet LED indicator	1
42	0181007	Frame shell assembly 2	1
43	020.0050	Screw	4
43A	018.0082	Screw	1
44	018.1008	Lifting handle	1
45	020.0041	PG9 quick connector(straight)	1
46	020.0046	Corrugated pipe	1
47	030.0021	PG9 quick Connector(bend)	1
48	018.0039	Left rail	1
49	018.0040	Right rail	1
50	020.0229	Rail screw M4*20	8

No.	Part no.	Description	Qty
51	020.0231	Set screw M5*6	4
52	020.0132	E-type circlip	1
53	020.0077M	Gasket	1
54	032.0127	Rocker arm steel sleeve	2
55	030.0027	Gasket	1
56	020.0061M	Capstan hub assembly	1
57	020.0315X	Arm for capstan	3
58	018.1009	Battery holder	1
58A	018.1086	Control unit	1
59	040.0028	Screw M3*14	2
60	040.0016	Micro switch	1
61	050T.0340	Screw M3*12	2
62	018.0028	Baffle	1
63	040.0007	Circlip	1
64	air.0011	Bearing	2
65	040.0013	Shaft holder	1
66	018.0063	Fixed seat	1
66A	036.0036	Screw M4*10	2
67	020.0416	Screw M4*16	2
68	018.0044	Screw M3*18	4
68A	018.1011	linked switch assembly	1
69	040.0006	Elastic pin	1
70	018.0051	Plunger screw	1
71	018.0033	Stem	1
72	air.0020	Steel ball	1
73	018.0047	Gear	1
74	Air.0061-B	Cylindrical pin	1
75	018.0046	Gear	1
76	018.1010	Switch knob	1
77	air.0009	Elastic pin	1
78	020.0146A	bolt M6*25	4
79	020.0106C	Spring cushion M6	4
80	020.0106B	Washer M6	4
81	018.1003	Permanent magnet assembly	1
82	018.0080	Safty belt anchorage	1
201	018.0203S	Case EBM.36/P-18V with sticker	1
202	032.2019	Coolant tank	1
203	036.0033	Safety belt	1
204	020.1008S	Euroboor gloves XL	1
	020.1008L	Euroboor gloves L	
	020.1008M	Euroboor gloves M	
205	020.0107	Safety goggles	1
208	020.0109	Ear plugs	1
209	020.0111	Alan key 2.5MM	1
210	020.0110	Alan key 3MM	1
211	020.0112	Alan key 4MM	1
212	020.0113	Alan key 5MM	1
213	0029	Safety guard small	1
214	020.0223	Bolt M5*10	3
215	018.2001	Charger	1
216	018.2002	Battery pack 5Ah	1
217	018.2003	Battery pack 9Ah	1