

## Spareparts ECO.32

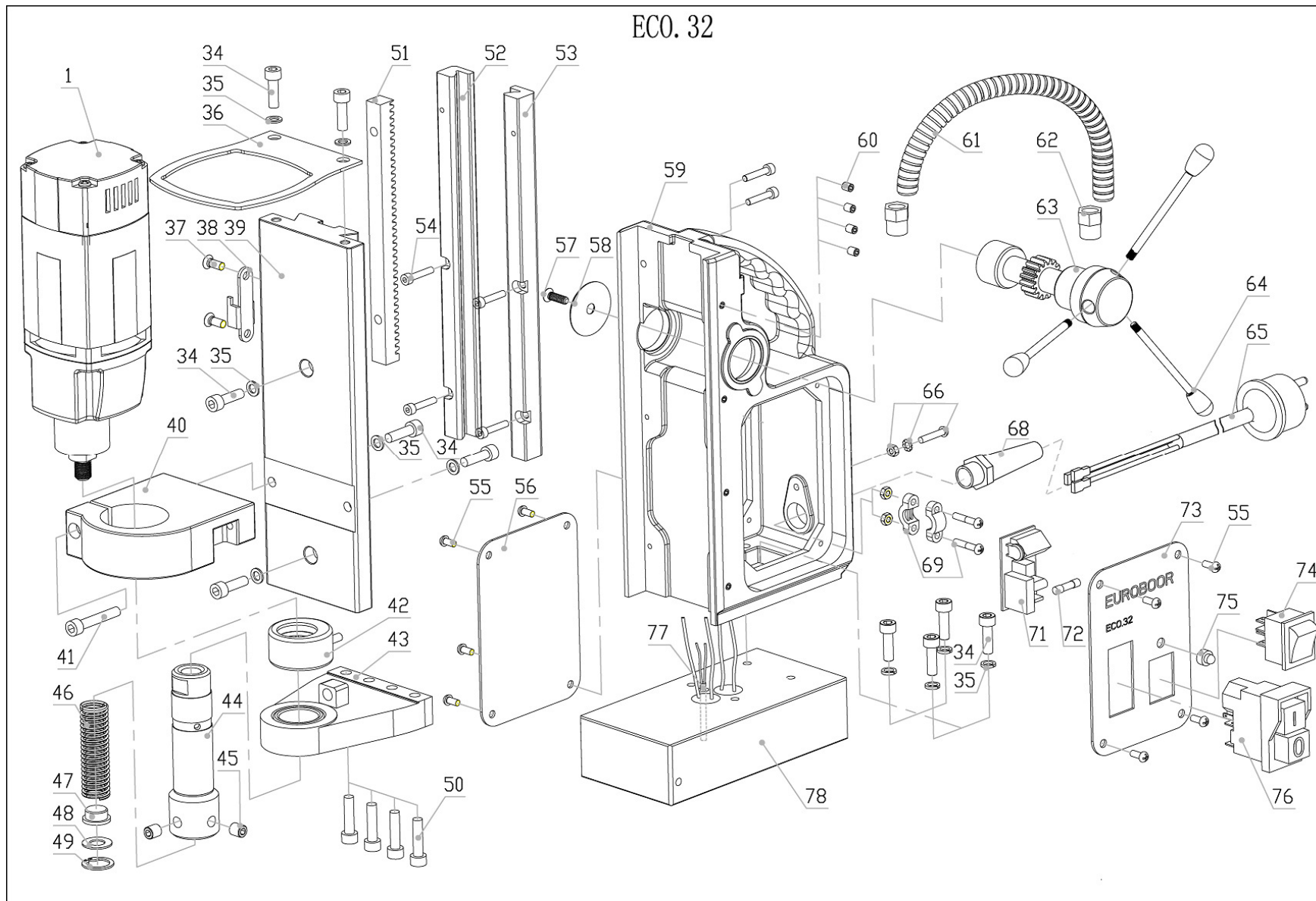
Nr.	Articlenr.	Description	
1	032.0101	Motorunit 220-240v	1
	032.0102	Motorunit 110-120v	
2	032.0106	Screw BK4,8x55	2
3	032.0111	End Cover	1
4	032.0136	Screw for spring	2
5	032.0141	Spring	2
6	032.0142	Screw M4x15	2
8	032.0146	Carbon Brush Set 220v	1
	032.0147	Carbon Brush set 110v	1
11	032.0116	Screw 4,2x13	2
12	032.0131	Adaptor Ring Cap	1
13	032.0241	Housing	1
14	032.0151	Field 220v	1
	032.0152	Field 110v	
15	032.0156	Screw 4x55	2
16	032.0161	Baffle	1
17	032.0126	Bearing 608	1
18	032.0181	Armature 220-240v	1
	032.0182	Armature 110-120v	
19	032.0166	Circlip 472/28	1
20	032.0171	Bearing 6001	1
21	032.0236	Inner Gear Plate	1
22	032.0176	Circlip 471/10	1
23	032.0237	Gasket small	1
24	032.0126	Bearing 608	1
25	032.0226	First Gear	1
26	032.0231	Axle 8T	1
27	032.0186	Spindle Gear	1
28	032.0191	Adaptor ring	1
29	032.0196	Bearing 6003	1
30	032.0211	Casing Pin	1
31	032.0206	Gear Casing	1
32	032.0216	Screw BK5x40	1
33	032.0201	Spindle Drive Shaft	1
34	020.0156	Screw SSM6x20	10
35	020.0111	Washer	10
36	032.0041	Top Fixing Plate 120mm	1
37	KSP.MS	Screw for Tank Holder	2
38	KSP.M/3	Tank Holder	1
39	032.0011/x	Slide	1
40	032.0026	Motorholder	1
41	032.0027	Screw SSM6x35	1
42	020.0145/2	Coolant ring	1
43	020.0142/2	Steady	1
44	020.0116	Spindle complete	1
45	020.0136	Fixing Screw M8x8	2

46	*	Spring	
47	*	Button	
48	*	Washer	
49	*	Circlip	
*	020.0121	Springset for Spindle	1
50	020.0146	Screw SSM6x25	4
51	032.0016	Rack	1
52+53	020.0086/X	Rail Set Alu (L+R)	1
54	020.0086/S	Screw SSM4x20	6
55	020.0101	Panel Screw	8
56	PP.RSEU-220	Rear Panel Plate 220v	1
	PP.RSEU-110	Rear Panel Plate 110v	
57	020.0081	End Screw	1
58	020.0077	End Plate	1
59	020.0056/X	Frame	1
60	020.0056/S	Setting Screw M5x6	4
61	020.0046	Motorcable complete	1
62	020.0041	Coupling Nut PG9	2
63	020.0061/X	Capstan Hub Assembly	1
64	020.0066	Arm for capstan	3
65	020.0036	Main Cable EURO	1
66	020.0182	Gronding set	1
68	020.0031	Coupling Nut PG11	1
69	020.0037	Cable Clamp	1
71	020.0001/2	Control Unit YSW	1
	020.0002/2	Control Unit YSW 110v	
72	020.0017	Fuse F2A	1
73	PP.32EU/4	Front Panel Plate	1
74	020.0011	Magnet Switch	1
75	020.0206	LED Indicator set	1
76	030E.0091/Y	Motorswitch 220-240v	1
	030E.0092/Y	Motorswitch 110-120v	
77	020.0201	Sensor	1
78	020.0052	Electromagnet (with sensor)	1

**DATE GENERATED : 22-11-2013**

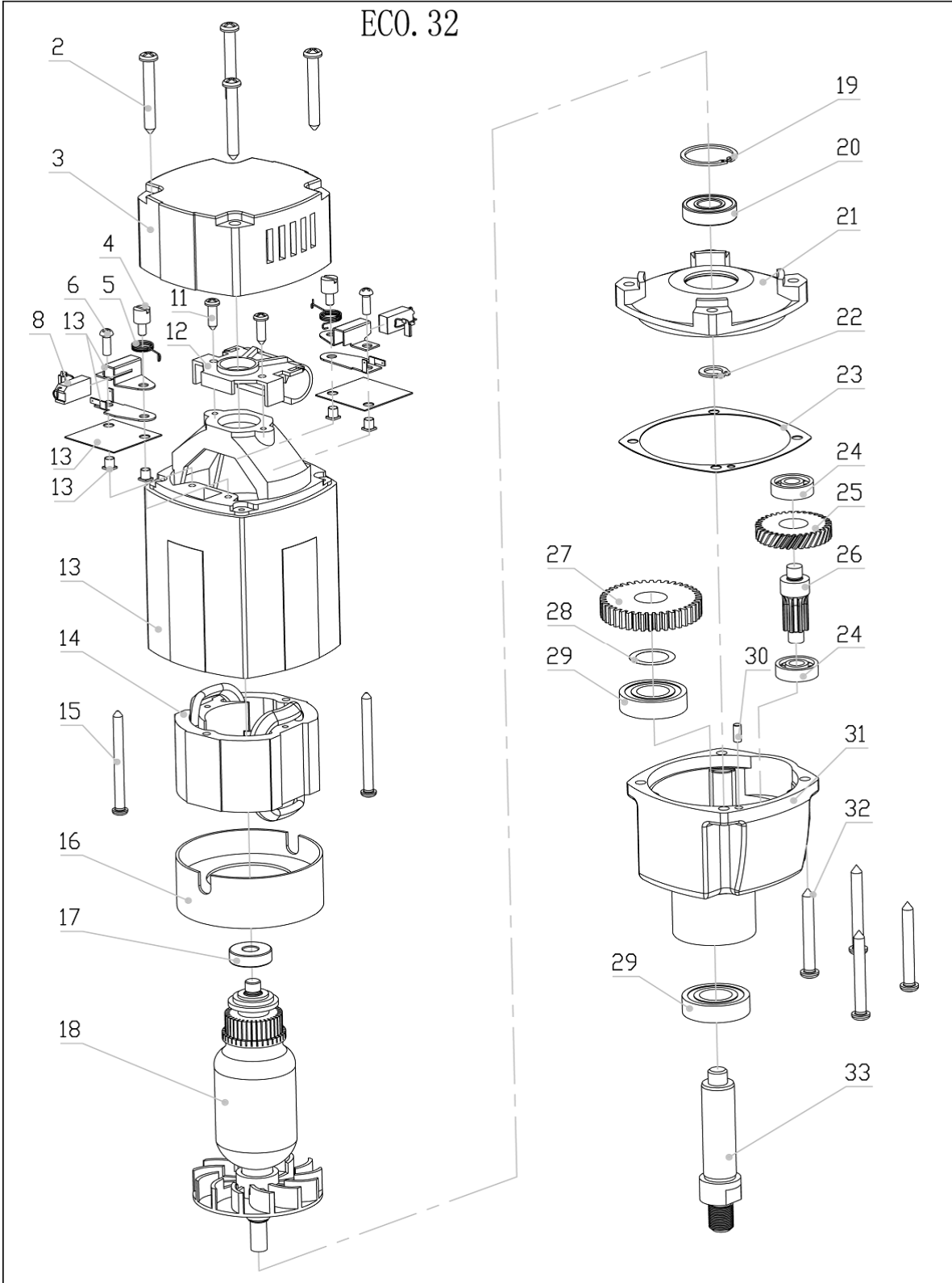
**LAST UPDATED : 29-01-2015**

EXPLODED VIEW FRAME



EXPLODED VIEW MOTOR

ECO. 32



ELECTRICAL WIRING DIAGRAM

